

N 630 SERIES

PROCESS VACUUM PUMPS AND COMPRESSORS



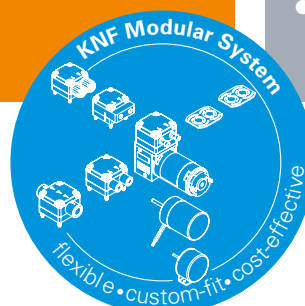
N 630 SP.9 E

ADVANTAGES

- High chemical resistance
- Durable even with difficult operating conditions
- High level of gas tightness
- Ambient temperatures of up to 60 °C possible with water cooling
- Stable transfer rate at all pressure levels throughout process
- Quiet operation with minimal vibration
- .12 version with additional safety diaphragm for preventing gas from escaping through cracks in the working diaphragm

POSSIBLE AREAS OF USE

- Environmental monitoring
- Process industry
- Chemical industry
- Energy technology – e.g. pressure increase for natural gas
- Gas recovery – e.g. in cryostats



Please visit our website
www.knf.com
 to get more information

PERFORMANCE DATA

Series model	N 630 - 50 60 Hz Version				N 630 - 50 60 Hz Version			
	ST.9 E / ST.13 E	ST.12 E	SP.9 E / SP.13 E	SP.12 E	ST.9 E / ST.13 E	ST.12 E	SP.9 E / SP.13 E	SP.12 E
Pump head	Stainless steel				Stainless steel			
Diaphragm	PTFE-coated		EPDM		PTFE-coated		EPDM	
Valves	Stainless steel				Stainless steel			
Flow rate at atm. pressure (l/min)	30.0 35.0				30.0 35.0			
Ultimate vacuum (mbar abs.)	120				120			
Max. operating pressure (bar rel./psig)	7.0/101.5	3.0/43.5	7.0/101.5	3.0/43.5	7.0/101.5	3.0/43.5	7.0/101.5	3.0/43.5
Permissible ambient temperature (°C)	+5 ... +60 (+40 without water cooling)				+5 ... +50 (+40 without water cooling)			
Permissible media temperature (°C)	+5 ... +60 (+40 without water cooling)				+5 ... +60 (+40 without water cooling)			
Level of gas tightness (mbar x l/s) .9/.13/.12	6 x 10 ⁻³ / 5 x 10 ⁻⁵ / 5 x 10 ⁻⁵				6 x 10 ⁻³ / 5 x 10 ⁻⁵ / 5 x 10 ⁻⁵			
Weight (kg/lbs)	36.0/79.4	38.0/83.8	36.0/79.4	38.0/83.8	36.0/79.4	38.0/83.8	36.0/79.4	38.0/83.8

ELECTRICAL DATA

Voltage (V)	230/400	200/346	220/380	277/480	230	100	220	115
Motor	Three-phase motor				Capacitor motor			
Protection class motor	IP 55				IP 55			
Protection class pump	IP 20				IP 20			
Frequency (Hz)	50	50/60	60	60	50	50/60	60	60
Power P ₂ (W)	750				750			
I _N (A), 50 Hz	3.3/1.9	3.8/2.2	-	-	5.3	11.8	-	-
I _N (A), 60 Hz	-	3.3/1.9	3.3/1.92	2.6/1.51	-	10.6	5.7	11.0

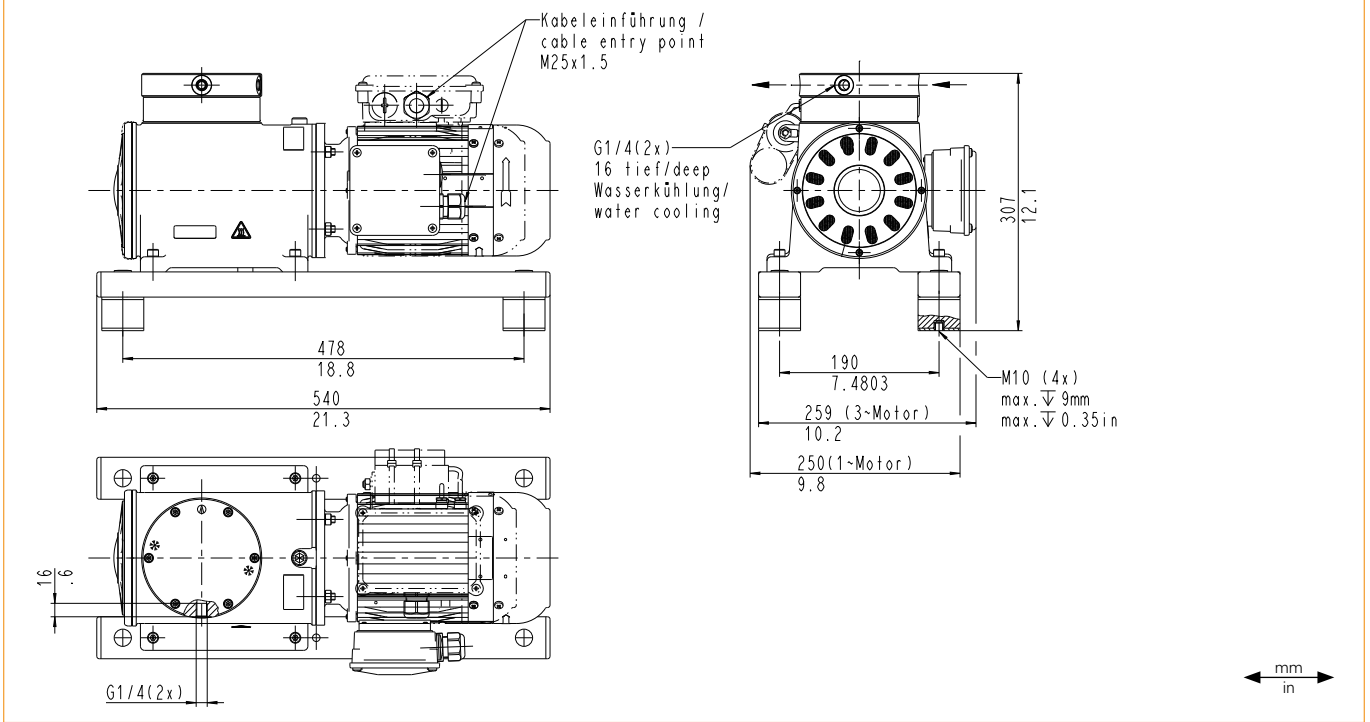
N 630 ST.9 E | ST.13 E

PERFORMANCE DATA

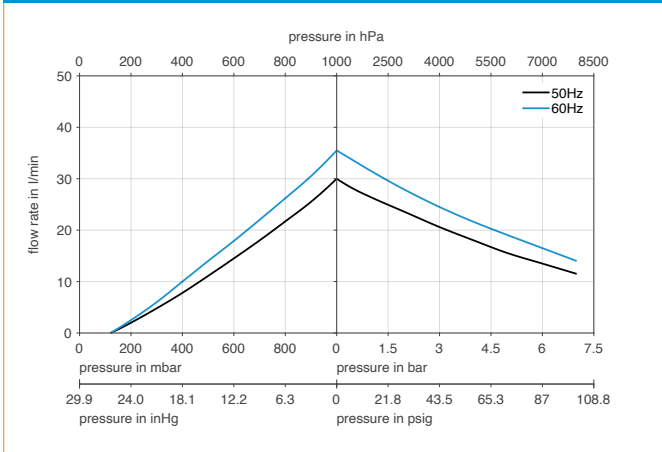
Series model	Flow rate at atm. pressure (l/min) ¹⁾	Max. operating pressure (bar rel./psig)	Ultimate vacuum (mbar abs.)
N 630 ST.9 E - 50 Hz	30.0	7.0/101.5	120
N 630 ST.13 E - 50 Hz	30.0	7.0/101.5	120
N 630 ST.9 E - 60 Hz	35.0	7.0/101.5	120
N 630 ST.13 E - 60 Hz	35.0	7.0/101.5	120

¹⁾ Flow rate determined at 20 °C, 1013 mbar abs.
(Pressure 0 to 1013 mbar abs. in accordance with ISO 21360-1/2)

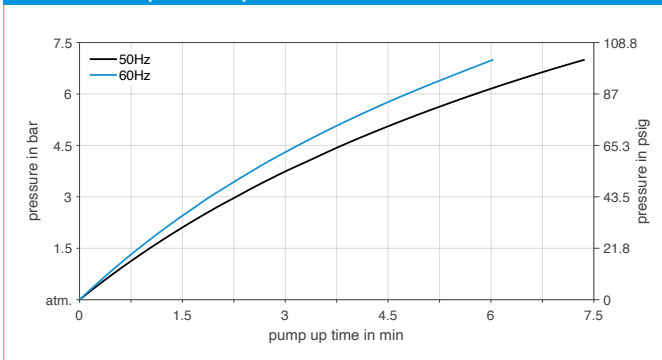
N 630 ST.9 E | ST.13 E



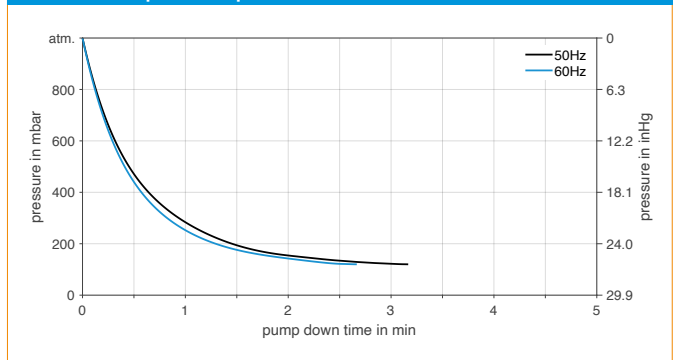
N 630 ST.9 E | ST.13 E



N 630 ST.9 E | ST.13 E | PUMP UP TIME FOR 20 LITER VESSEL



N 630 ST.9 E | ST.13 E | PUMP DOWN TIME FOR 20 LITER VESSEL



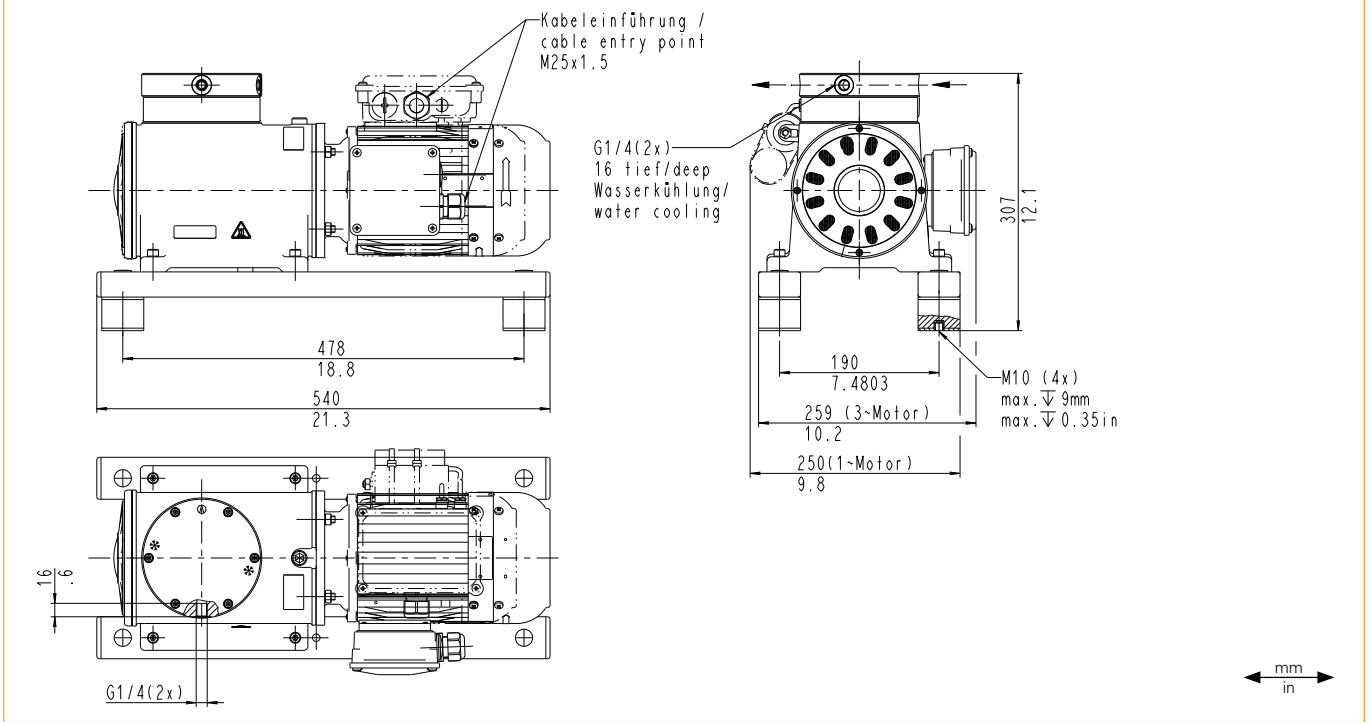
N 630 SP.9 E | SP.13 E

PERFORMANCE DATA

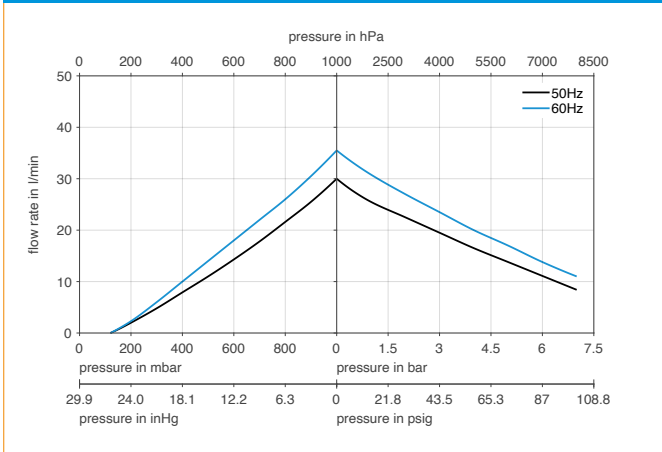
Series model	Flow rate at atm. pressure (l/min) ¹⁾	Max. operating pressure (bar rel./psig)	Ultimate vacuum (mbar abs.)
N 630 SP.9 E - 50 Hz	30.0	7.0/101.5	120
N 630 SP.13 E - 50 Hz	30.0	7.0/101.5	120
N 630 SP.9 E - 60 Hz	35.0	7.0/101.5	120
N 630 SP.13 E - 60 Hz	35.0	7.0/101.5	120

¹⁾ Flow rate determined at 20 °C, 1013 mbar abs.
(Pressure 0 to 1013 mbar abs. in accordance with ISO 21360-1/2)

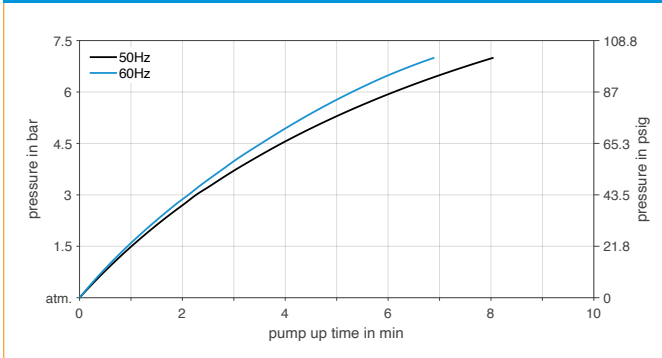
N 630 SP.9 E | SP.13 E



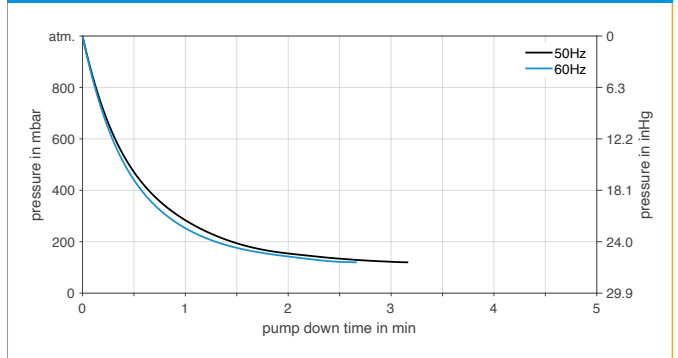
N 630 SP.9 E | SP.13 E



N 630 SP.9 E | SP.13 E | PUMP UP TIME FOR 20 LITER VESSEL



N 630 SP.9 E | SP.13 E | PUMP DOWN TIME FOR 20 LITER VESSEL



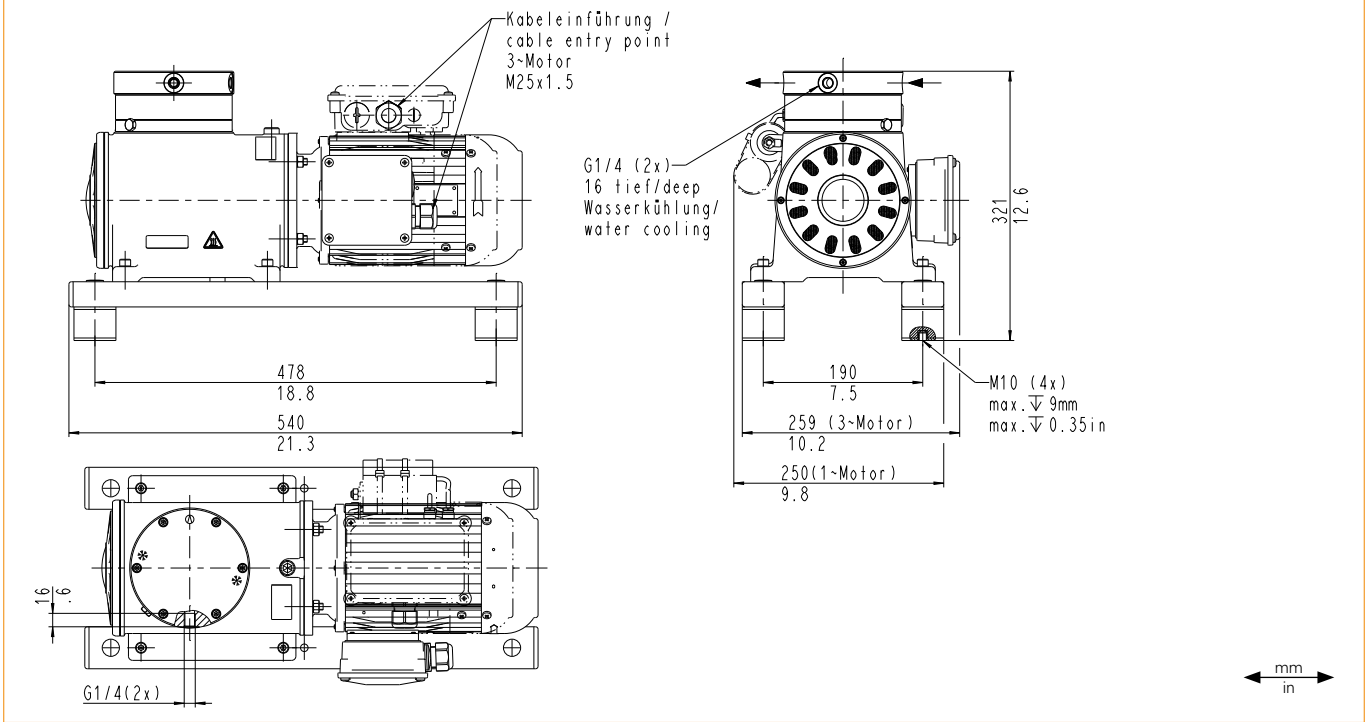
N 630 ST.12 E

PERFORMANCE DATA

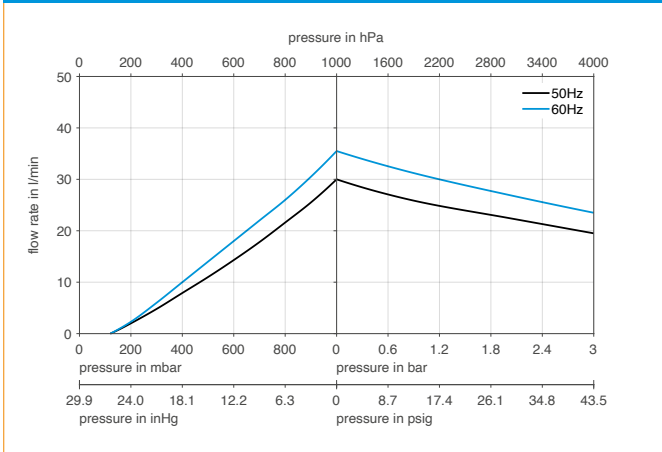
Series model	Flow rate at atm. pressure (l/min) ¹⁾	Max. operating pressure (bar rel./psig)	Ultimate vacuum (mbar abs.)
N 630 ST.12 E - 50 Hz	30.0	3.0/43.5	120
N 630 ST.12 E - 60 Hz	35.0	3.0/43.5	120

¹⁾ Flow rate determined at 20 °C, 1013 mbar abs.
(Pressure 0 to 1013 mbar abs. in accordance with ISO 21360-1/2)

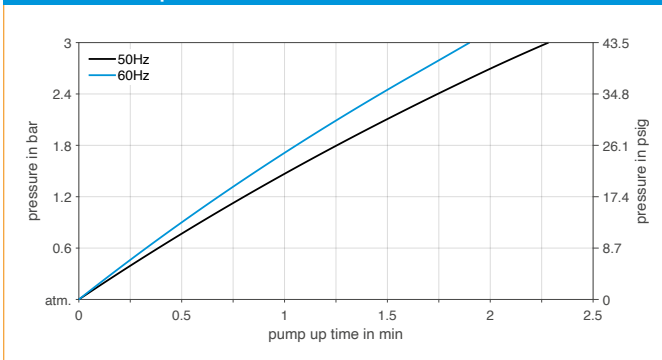
N 630 ST.12 E



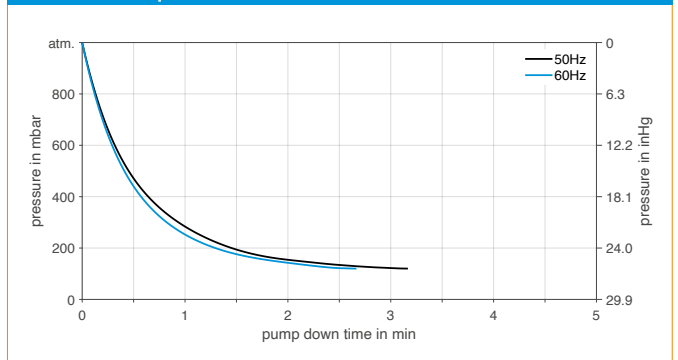
N 630 ST.12 E



N 630 ST.12 E | PUMP UP TIME FOR 20 LITER VESSEL



N 630 ST.12 E | PUMP DOWN TIME FOR 20 LITER VESSEL



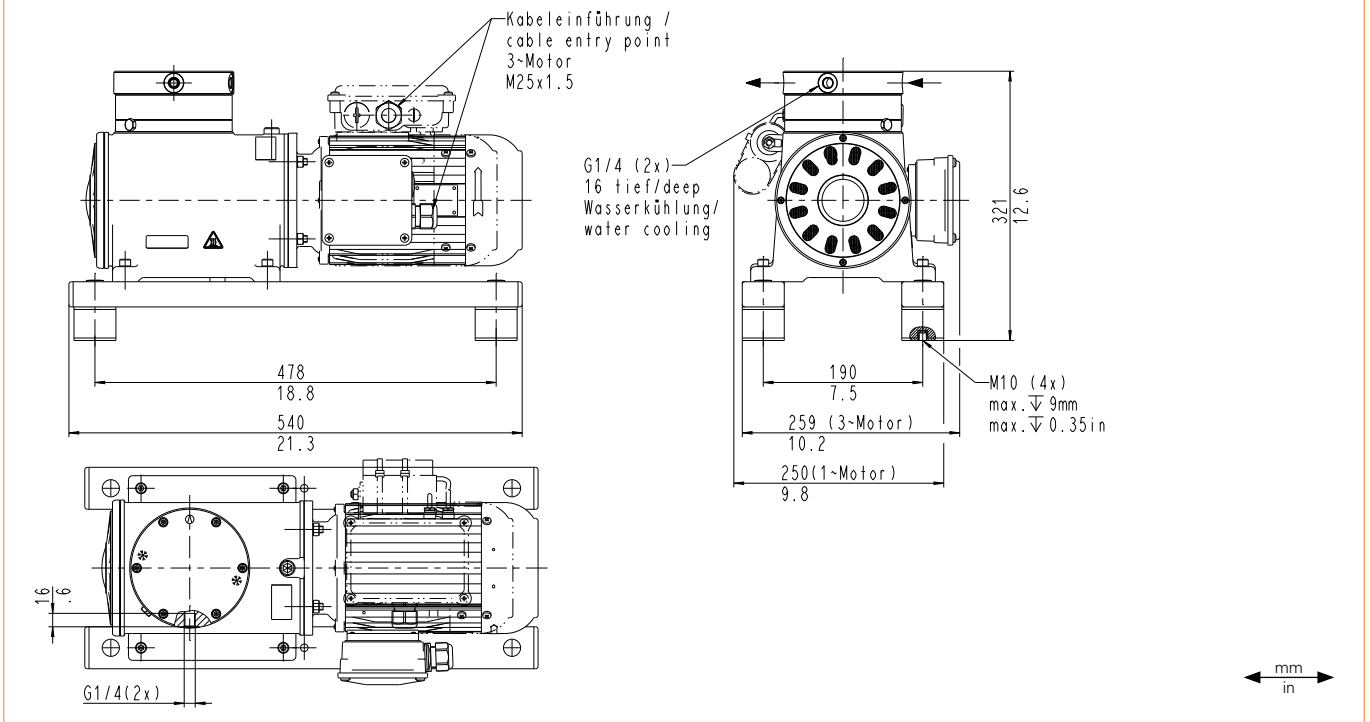
N 630 SP.12 E

PERFORMANCE DATA

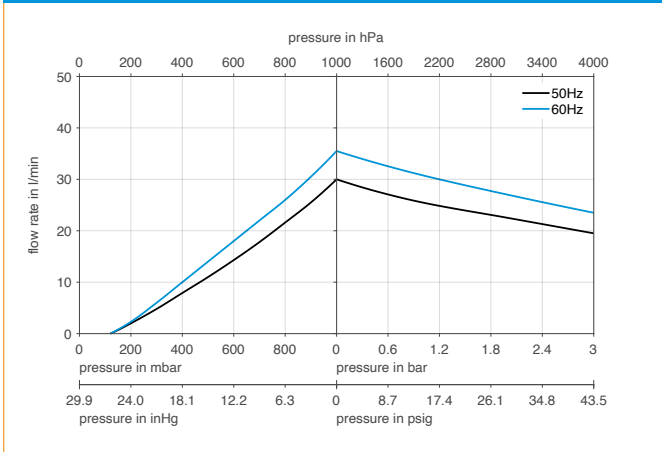
Series model	Flow rate at atm. pressure (l/min) ¹⁾	Max. operating pressure (bar rel./psig)	Ultimate vacuum (mbar abs.)
N 630 SP.12 E - 50 Hz	30.0	3.0/43.5	120
N 630 SP.12 E - 60 Hz	35.0	3.0/43.5	120

¹⁾ Flow rate determined at 20 °C, 1013 mbar abs.
(Pressure 0 to 1013 mbar abs. in accordance with ISO 21360-1/2)

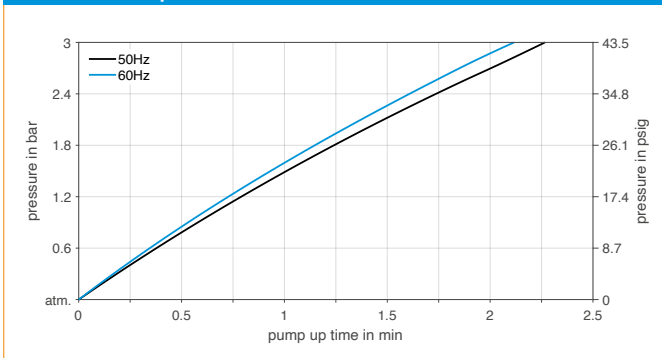
N 630 SP.12 E



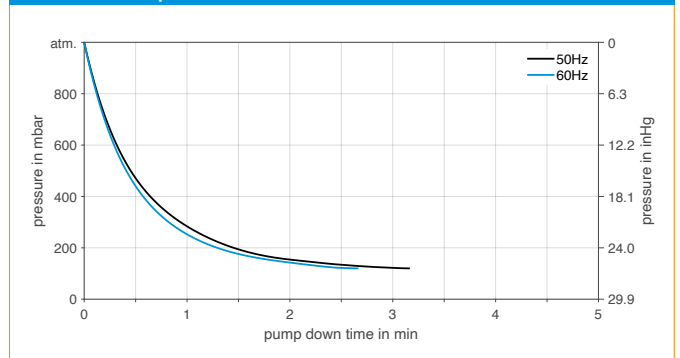
N 630 SP.12 E





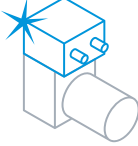
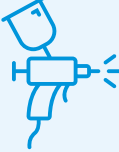


N 630 SP.12 E | PUMP UP TIME FOR 20 LITER VESSEL



N 630 SP.12 E | PUMP DOWN TIME FOR 20 LITER VESSEL



OPTIONS

Description	Illustration	Details
Mechanical adjustment of pumping capacity		The pumping capacity can be adjusted at the factory to accommodate inlet pressure and for accurate alignment with the customer's system
Versions for special gases		Adjustment of the pump head for use with highly corrosive gases, for example with certain ozone or chlorine concentrations. Options include Hastelloy or PTFE pump head components or SilcoTek™ coating
Cleaned contact material parts		For the use of the pump with gases with high oxygen concentrations the parts that come into contact with the medium can be cleaned (including cleaning protocol)
Special coating		Special coatings for high corrosion protection (C4) for use in industrial areas and coastal areas with moderate salinity, such as maritime applications
Certified head components		The components that come into contact with the medium are available with material certificates
Special motors		Motors with special approval for maritime applications and motors with higher IP classification and insulation for tropical conditions are available on request

ACCESSORIES

Description	Illustration	Part No.
Connection water cooling device N 630 S_.9 E S_.13 E S_.12 E		310064
Inlet filter		316661
Transport eyebolt		311535
Wrench for retainer plate		321664
Retainer plate screw N 630 S_.9 E S_.13 E		314279
Retainer plate screw N 630 S_.12 E		314280

SPARE PARTS

Description	Part No.
Spare parts kit N 630 ST.9 E	321887
Spare parts kit N 630 ST.13 E	321878
Spare parts kit N 630 ST.12 E	325528
Spare parts kit N 630 SP.9 E	321874
Spare parts kit N 630 SP.13 E	321875
Spare parts kit N 630 SP.12 E	321876

The performance values for the series models shown on this data sheet were determined under test conditions. The actual performance values may differ and depend in particular on the usage conditions and therefore on the specific application, on the parameters of the components involved in the user's system and on any technical modifications carried out which deviate from the standard configuration or the as delivered condition.

If individual designs have been created for specific customers on the basis of series models, other technical performance data may apply. Before operation begins, the relevant operating instructions and/or assembly or installation instructions should be read and the safety information contained in these instructions should be noted. KNF reserves the right to make changes to the product and the associated documentation without prior notice to the customer.



www.knf.com